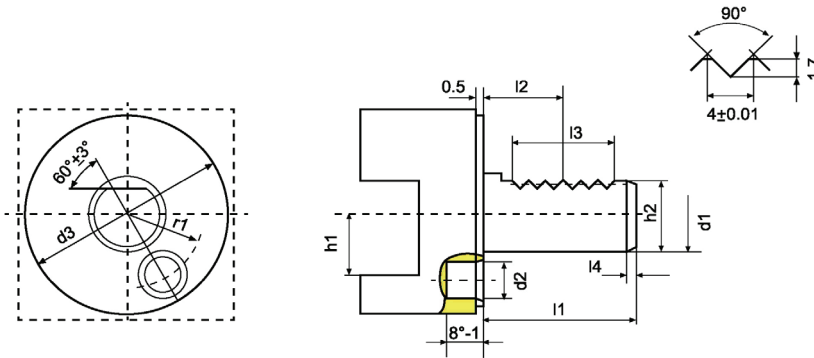




**VDI**  
**DIN/69880**

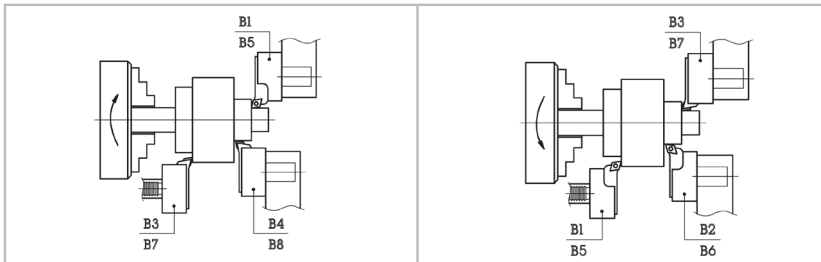
**PROGRAMA**

						
<b>PAG. 4</b>	<b>PAG. 4</b>	<b>PAG. 5</b>	<b>PAG. 5</b>	<b>PAG. 6</b>	<b>PAG. 6</b>	<b>PAG. 7</b>
						
<b>PAG. 7</b>	<b>PAG. 8</b>	<b>PAG. 8</b>	<b>PAG. 9</b>	<b>PAG. 9</b>	<b>PAG. 10</b>	<b>PAG. 10</b>
						
<b>PAG. 11</b>	<b>PAG. 11</b>	<b>PAG. 12</b>	<b>PAG. 13</b>	<b>PAG. 14</b>	<b>PAG. 14</b>	<b>PAG. 15</b>
						
<b>PAG. 15</b>	<b>PAG. 16</b>	<b>PAG. 16</b>	<b>PAG. 17-18</b>	<b>PAG. 19</b>	<b>PAG. 20</b>	<b>PAG. 20</b>
						
<b>PAG. 21</b>	<b>PAG. 21</b>	<b>PAG. 22</b>	<b>PAG. 22</b>	<b>PAG. 22</b>		

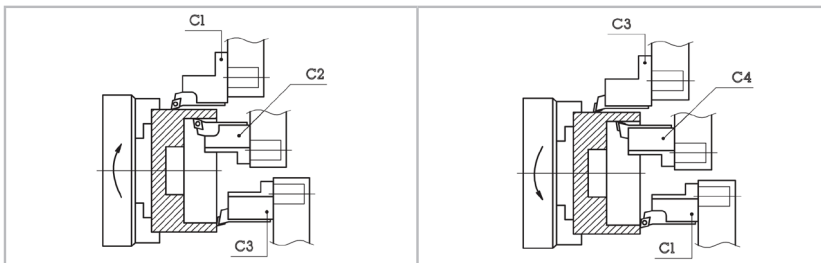


<b>d1</b> h6	<b>l1</b> ± 0.3	<b>d2</b>	<b>d3</b>	<b>h1</b> max	<b>h2</b> ± 0.1	<b>l2</b> ± 0.05	<b>l3</b> min	<b>l4</b> +1	<b>r1</b> ± 0.02
<b>16</b>	32	8 - H6	40	12	15	12.7	16	2	14.5
<b>20</b>	40	10 - H6	50	16	18	21.7	24	2	18
<b>25</b>	48	10 - H6	58	16	23.5	21.7	24	2	21
<b>30</b>	55	14 - H8	68	20	27	29.7	40	2	25
<b>40</b>	63	14 - H8	83	25	36	29.7	40	3	32
<b>50</b>	78	16 - H8	98	32	45	35.7	48	3	37
<b>60</b>	94	16 - H8	123	32	55	43.7	56	4	48
<b>80</b>	124	20 - H8	158	40	72	59.7	80	4	65

**Porta herramientas utilizado para rotación horaria del mandrino**  
*Toolholders suitable for clockwise spindle rotation*

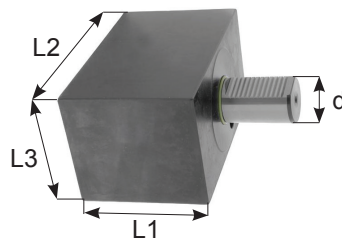


**Porta herramientas utilizado para rotación antihoraria del mandrino**  
*Toolholders suitable for counter clockwise spindle rotation*



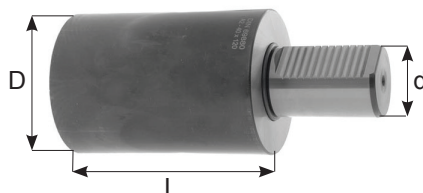


Porta herramientas en desbaste  
Machinable toolholder blanks

**DIN/69880****FORMA A1**

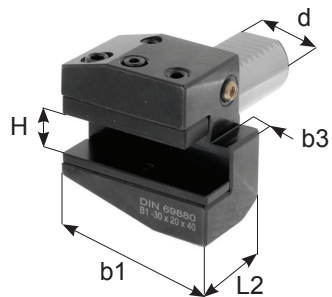
REFERENCIA	d (VDI)	L1	L2	L3
VDIA101644	16	44	78	44
VDIA102065	20	65	100	60
VDIA102575	25	75	100	60
VDIA103085	30	85	130	76
VDIA1040100	40	100	151	96
VDIA1050125	50	125	160	120
VDIA1060160	60	160	165	125

Porta herramientas en desbaste  
Machinable toolholder blanks

**DIN/69880****FORMA A2**

REFERENCIA	d (VDI)	D	L
VIDIA201660	16	40	60
VIDIA202070	20	50	70
VIDIA202558	25	58	80
VIDIA2030100	30	68	100
VIDIA2030240	30	68	240
VIDIA2040120	40	83	120
VIDIA2040320	40	83	320
VIDIA2050135	50	98	135
VIDIA2050400	50	98	400
VIDIA2060150	60	123	150
VIDIA2060480	60	123	480

**Porta herramientas radial derecha**  
*Radial toolholders - Right*

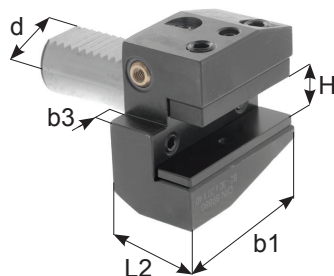


**DIN/69880**

**FORMA B1**

REFERENCIA	d (VDI)	b1	b3	H	L2
VDIB101624	16	42	5.0	12	24
VDIB101634	16	42	5.0	12	34
VDIB102030	20	55	7.0	16/12	30
VDIB102040	20	55	7.0	16/12	40
VDIB102530	25	55	7.0	16/12	30
VDIB102540	25	55	7.0	16/12	40
VDIB103040	30	70	10.0	20/16	40
VDIB103060	30	70	10.0	20/16	60
VDIB104044	40	85	12.5	25/20	44
VDIB105055	50	100	16.0	32/25	55
VDIB106060	60	125	16.0	32/25	60

**Porta herramientas radial izquierda**  
*Radial toolholders - Left*

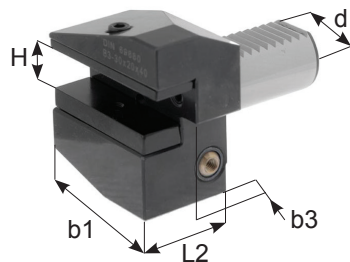


**DIN/69880**

**FORMA B2**

REFERENCIA	d (VDI)	b1	b3	H	L2
VDIB201624	16	42	5.0	12	24
VDIB201634	16	42	5.0	12	34
VDIB202030	20	55	7.0	16/12	30
VDIB202040	20	55	7.0	16/12	40
VDIB202530	25	55	7.0	16/12	30
VDIB202540	25	55	7.0	16/12	40
VDIB203040	30	70	10.0	20/16	40
VDIB203060	30	70	10.0	20/16	60
VDIB204044	40	85	12.5	25/20	44
VDIB205055	50	100	16.0	32/25	55
VDIB206060	60	125	16.0	32/25	60

Porta herramientas radial saliente derecha  
Radial upside-down toolholders - Right

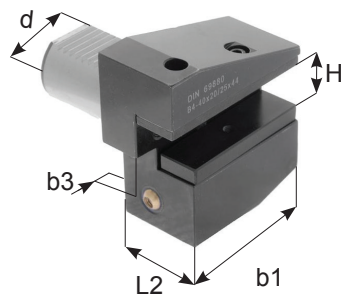


**DIN/69880**

**FORMA B3**

REFERENCIA	d (VDI)	b1	b3	H	L2
VDIB301624	16	42	5.0	12	24
VDIB301634	16	42	5.0	12	34
VDIB302030	20	55	7.0	16/12	30
VDIB302040	20	55	7.0	16/12	40
VDIB302530	25	55	7.0	16/12	30
VDIB302540	25	55	7.0	16/12	40
VDIB303040	30	70	10.0	20/16	40
VDIB303060	30	70	10.0	20/16	60
VDIB304044	40	85	12.5	25/20	44
VDIB305055	50	100	16.0	32/25	55
VDIB306060	60	125	16.0	32/25	60

Porta herramientas radial saliente izquierda  
Radial upside-down toolholders - Left



**DIN/69880**

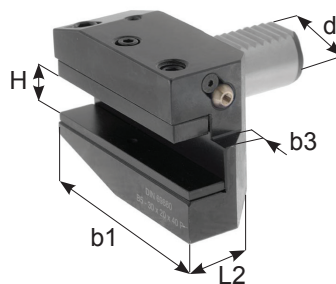
**FORMA B4**

REFERENCIA	d (VDI)	b1	b3	H	L2
VDIB401624	16	42	5.0	12	24
VDIB401634	16	42	5.0	12	34
VDIB402030	20	55	7.0	16/12	30
VDIB402040	20	55	7.0	16/12	40
VDIB402530	25	55	7.0	16/12	30
VDIB402540	25	55	7.0	16/12	40
VDIB403040	30	70	10.0	20/16	40
VDIB403060	30	70	10.0	20/16	60
VDIB404044	40	85	12.5	25/20	44
VDIB405055	50	100	16.0	32/25	55
VDIB406060	60	125	16.0	32/25	60

**Porta herramientas radial derecha larga**  
*Radial toolholders - Right long*

**DIN/69880**

**FORMA B5**

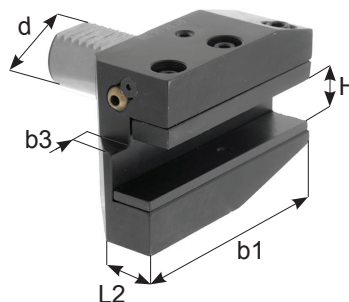


REFERENCIA	d (VDI)	b1	b3	H	L2
VDIB501624	16	58	5.0	12	24
VDIB501634	16	58	5.0	12	34
VDIB502030	20	75	7.0	16/12	30
VDIB502040	20	75	7.0	16/12	40
VDIB502530	25	75	7.0	16/12	30
VDIB502540	25	75	7.0	16/12	40
VDIB503040	30	100	10.0	20/16	40
VDIB503060	30	100	10.0	20/16	60
VDIB504044	40	118	12.5	25/20	44
VDIB505055	50	130	16.0	32/25	55
VDIB506060	60	145	16.0	32/25	60

**Porta herramientas radial izquierda larga**  
*Radial toolholders - Left long*

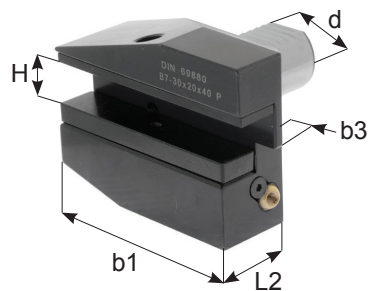
**DIN/69880**

**FORMA B6**



REFERENCIA	d (VDI)	b1	b3	H	L2
VDIB601624	16	58	5.0	12	24
VDIB601634	16	58	5.0	12	34
VDIB602030	20	75	7.0	16/12	30
VDIB602040	20	75	7.0	16/12	40
VDIB602530	25	75	7.0	16/12	30
VDIB602540	25	75	7.0	16/12	40
VDIB603040	30	100	10.0	20/16	40
VDIB603060	30	100	10.0	20/16	60
VDIB604044	40	118	12.5	25/20	44
VDIB605055	50	130	16.0	32/25	55
VDIB606060	60	145	16.0	32/25	60

**Porta herramientas radial saliente derecha larga**  
*Radial upside-down toolholders - Right long*

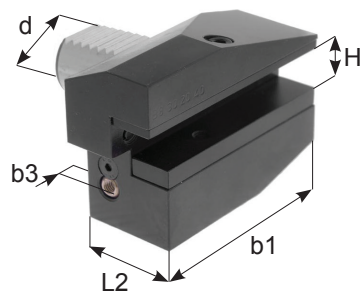


**DIN/69880**

**FORMA B7**

REFERENCIA	d (VDI)	b1	b3	H	L2
VDIB701624	16	58	5.0	12	24
VDIB701634	16	58	5.0	12	34
VDIB702030	20	75	7.0	16/12	30
VDIB702040	20	75	7.0	16/12	40
VDIB702530	25	75	7.0	16/12	30
VDIB702540	25	75	7.0	16/12	40
VDIB703040	30	100	10.0	20/16	40
VDIB703060	30	100	10.0	20/16	60
VDIB704044	40	118	12.5	25/20	44
VDIB705055	50	130	16.0	32/25	55
VDIB706060	60	145	16.0	32/25	60

**Porta herramientas radial saliente izquierda larga**  
*Radial upside-down toolholders - Left long*



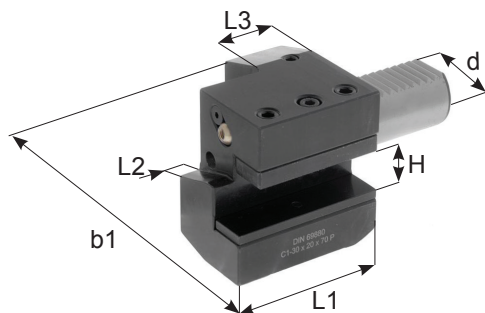
**DIN/69880**

**FORMA B8**

REFERENCIA	d (VDI)	b1	b3	H	L2
VDIB801624	16	58	5.0	12	24
VDIB801634	16	58	5.0	12	34
VDIB802030	20	75	7.0	16/12	30
VDIB802040	20	75	7.0	16/12	40
VDIB802530	25	75	7.0	16/12	30
VDIB802540	25	75	7.0	16/12	40
VDIB803040	30	100	10.0	20/16	40
VDIB803060	30	100	10.0	20/16	60
VDIB804044	40	118	12.5	25/20	44
VDIB805055	50	130	16.0	32/25	55
VDIB806060	60	145	16.0	32/25	60



**Porta herramientas axial derecha**  
*Axial toolholders - Right*

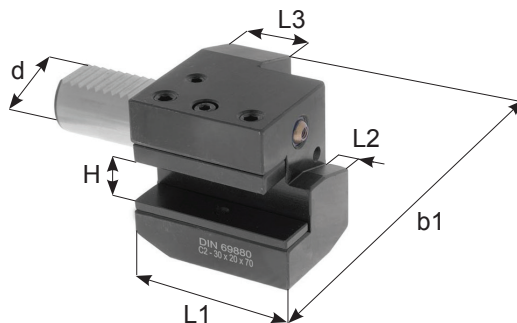


**DIN/69880**

**FORMA C1**

REFERENCIA	d (VDI)	b1	H	L1	L2	L3
VDIC101644	16	43	12	44	5	20
VDIC102050	20	65	16/12	50	-	30
VDIC102055	20	52	16/12	55	7	30
VDIC102555	25	58	16/12	55	7	20
VDIC103070	30	70	20/16	70	10	30
VDIC104085	40	85	25/20	85	12.5	30
VDIC1050100	50	100	32/25	100	16	40
VDIC1060125	60	125	32/25	125	16	40

**Porta herramientas axial izquierda**  
*Axial toolholders - Left*



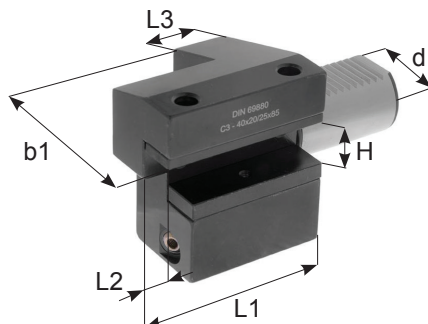
**DIN/69880**

**FORMA C2**

REFERENCIA	d (VDI)	b1	H	L1	L2	L3
VDIC201644	16	43	12	44	5	20
VDIC202050	20	65	16/12	50	-	30
VDIC202555	25	58	16/12	55	7	20
VDIC203070	30	76	20/16	70	10	30
VDIC204085	40	90	25/20	85	12.5	30
VDIC2050100	50	105	32/25	100	16	40
VDIC2060125	60	125	32/25	125	16	40



**Porta herramientas axial saliente derecho**  
*Axial upside-down toolholders - Right*

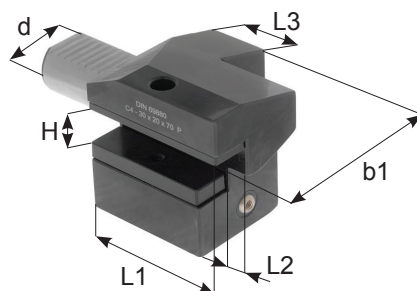


**DIN/69880**

**FORMA C3**

REFERENCIA	d (VDI)	b1	H	L1	L2	L3
VDIC301644	16	43	12	44	5	20
VDIC302050	20	65	16/12	50	-	30
VDIC302055	20	52	16/12	55	7	30
VDIC302555	25	58	16/12	55	7	20
VDIC303070	30	70	20/16	70	10	30
VDIC304085	40	85	25/20	85	12.5	30
VDIC3050100	50	100	32/25	100	16	40
VDIC3060125	60	125	32/25	125	16	40

**Porta herramientas axial saliente izquierda**  
*Axial upside-down toolholders - Left*



**DIN/69880**

**FORMA C4**

REFERENCIA	d (VDI)	b1	H	L1	L2	L3
VDIC401644	16	43	12	44	5	20
VDIC402050	20	65	16/12	50	-	30
VDIC402555	25	58	16/12	55	7	20
VDIC403070	30	76	20/16	70	10	30
VDIC404085	40	90	25/20	85	12.5	30
VDIC4050100	50	105	32/25	100	16	40
VDIC4060125	60	125	32/25	125	16	40

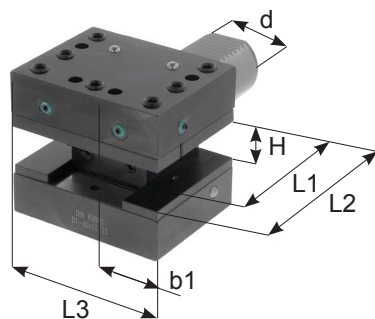




Porta herramientas multiple cuadrado  
*Toolholders with multiple seats*

**DIN/69880**

**FORMA D1**

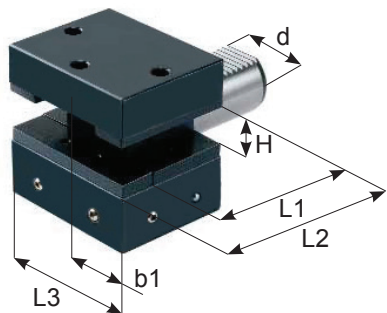


REFERENCIA	d (VDI)	b1	H	L1	L2	L3
VDID102548	25	33	16/12	34	48	66
VDID103060	30	35	20/16	42	60	76
VDID104072	40	42.5	25/20	50	72	90
VDID105085	50	50	32/25	60	85	105
VDID1060110	60	57.5	32/25	85	110	115

Porta herramientas multiple cuadrado  
*Toolholders with multiple seats*

**DIN/69880**

**FORMA D2**



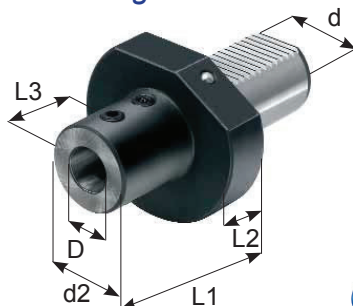
REFERENCIA	d (VDI)	b1	H	L1	L2	L3
VDID202548	25	33	16/12	34	48	66
VDID203060	30	35	20/16	42	60	76
VDID204072	40	42.5	25/20	50	72	90
VDID205085	50	50	32/25	60	85	105
VDID2060110	60	57.5	32/25	85	110	115



Porta herramientas para barra de mandrinar refrigeración interna  
*Boring - bars holder with inside cooling*

**DIN/69880**

**FORMA E1**



Coolant

**VDI20 / VDI30 / VDI40 / VDI50 / VDI60**

REFERENCIA	d (VDI)	d2	D	L1	L2	L3
E1020x6*	20	25	6	50	18	36
E1020x8*		28	8	50		36
E1020x10*		35	10	54		40
E1020x12*		42	12	59		45
E1020x16		36	16	67		54
E1020x20		40	20	67		54
E1020x25		45	25	71		58
E1030x6*	30	25	6	50	22	36
E1030x8*		28	8	50		36
E1030x10*		35	10	54		40
E1030x12*		42	12	59		45
E1030x16		36	16	67		54
E1030x20		40	20	67		54
E1030x25		45	25	71		58
E1030x32	52	32	75	61		
E1030x40	65	40	90	72		
E1040x6*	40	25	6	50	22	36
E1040x8*		28	8	50		36
E1040x10*		35	10	54		40
E1040x12*		42	12	58		45
E1040x16		36	16	67		54
E1040x20		40	20	67		54
E1040x25		45	25	75		59
E1040x32		52	32	75		61
E1040x40		65	40	90		73
E1040x50	70	50	100	83		
E1050x16	50	36	16	80	30	54
E1050x20		40	20	80		54
E1050x25		45	25	80		59
E1050x32		52	32	80		63
E1050x40		65	40	90		73
E1050x50		75	50	100		83
E1060x16	60	36	16	80	30	54
E1060x20		40	20	80		54
E1060x25		45	25	80		59
E1060x32		52	32	80		63
E1060x40		65	40	90		73
E1060x50		75	50	100		83

\* El tornillo de bloqueo está inclinado a 2° para mejorar el ajuste

Porta herramientas para barra de mandrinar  
refrigeración interna y externa  
*Boring - bars holder with outside inside cooling*



**DIN/69880**

**FORMA E2**

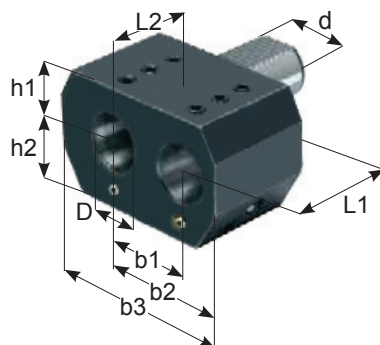
**VDI20 / VDI30 / VDI40 / VDI50 / VDI60**

REFERENCIA	d (VDI)	d2	D	L1	L2	L3
E2016x6	16	32	6	44	13	34
E2016x8		32	8	44		34
E2016x10		32	10	44		34
E2016x12		40	12	44		34
E2016x16		40	16	44		34
E2020x6	20	40	6	50	18	42
E2020x8		40	8	50		42
E2020x10		40	10	50		42
E2020x12		40	12	50		42
E2020x16		42	16	50		42
E2020x20		49	20	50		42
E2020x25		49	25	60		52
E2030x6	30	55	6	60	22	43
E2030x8		55	8	60		43
E2030x10		55	10	60		43
E2030x12		55	12	60		43
E2030x16		55	16	60		55
E2030x20		55	20	60		54
E2030x25		55	25	60		54
E2030x30		67	30	75		61
E2030x32		67	32	75		61
E2030x40		67	40	75		66
E2040x6	40	55	6	75	22	43
E2040x8		55	8	75		43
E2040x10		55	10	75		43
E2040x12		55	12	75		58
E2040x16		55	16	75		61
E2040x20		55	20	75		61
E2040x25		55	25	75		61
E2040x30		82	30	75		61
E2040x32		82	32	75		61
E2040x40		82	40	90		76
E2040x50		98	50	100	-	86
E2050x12	50	68	12	90	30	71
E2050x16		68	16	90		76
E2050x20		68	20	90		76
E2050x25		68	25	90		76
E2050x30		69	30	90		76
E2050x32		69	32	90		76
E2050x40		98	40	90	-	76
E2050x50		98	50	100	-	86
E2060x16	60	68	16	90	30	76
E2060x20		68	20	90		76
E2060x25		68	25	90		76
E2060x32		68	32	90		76
E2060x40		98	40	90		76
E2060x50		98	50	100		86

**Porta herramientas doble derecha**  
*Double boring bar holders - Right hand*

**DIN/69880**

**FORMA ES7**



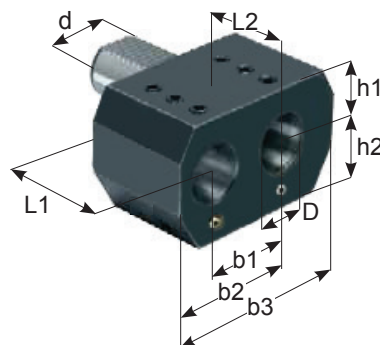
**VDI20 / VDI30 / VDI40 / VDI50**

REFERENCIA	d (VDI)	D	h1	h2	L1	L2	b1	b2	b3
ES72016	20	16	25	25	45	42	32	51	76
ES72020		20	25	25	45	42	32	51	76
ES73025	30	25	28	32	56	52	45	65	95
ES74032	40	32	32.5	40	66	60	50	75	115
ES75032	50	32	32.5	47.5	66	60	50	75	115
ES75050		50	35	49	90	80	68	103	152

**Porta herramientas doble izquierda**  
*Double boring bar holders - Left hand*

**DIN/69880**

**FORMA ES8**



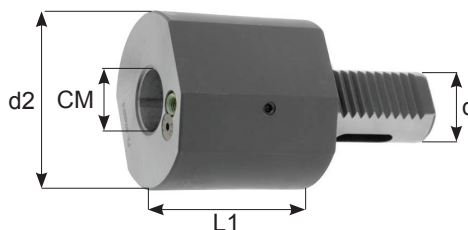
**VDI20 / VDI30 / VDI40 / VDI50**

REFERENCIA	d (VDI)	D	h1	h2	L1	L2	b1	b2	b3
ES82016	20	16	25	25	45	42	32	51	76
ES82020		20	25	25	45	42	32	51	76
ES83025	30	25	28	32	56	52	45	65	95
ES84032	40	32	32.5	40	66	60	50	75	115
ES85032	50	32	32.5	47.5	66	60	50	75	115
ES85050		50	35	49	90	80	68	103	152

Porta herramientas a cono morse forma - F  
Morse taper toolholders Form - F

DIN/69880

FORMA F

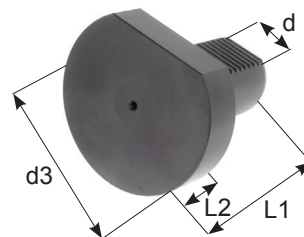


**VD16 / VDI20 / VDI30 / VDI40 / VDI50 / VDI60**

REFERENCIA	d (VDI)	d2	CM	L1	L2
VDIF16MT1	16	-	1	31.5	-
VDIF16MT2		-	2	72	-
VDIF20MT1	20	-	1	23	-
VDIF20MT2 *		45	2	41	22
VDIF30MT1	30	-	1	27	-
VDIF30MT2		55	2	36	27
VDIF30MT3		55	3	66	41
VDIF40MT1	40	55	1	23	22
VDIF40MT2		55	2	36	22
VDIF40MT3		58	3	36	22
VDIF40MT4		68	4	80	22
VDIF50MT2	50	55	2	36	30
VDIF50MT3		58	3	45	30
VDIF50MT4		68	4	55	30
VDIF50MT5*		75	5	72	30
VDIF60MT2	60	55	2	35	30
VDIF60MT3		58	3	45	30
VDIF60MT4		68	4	55	30
VDIF60MT5		98	5	64	30

\* El mango cilíndrico no es dentado

Tampón de protección de acero o plástico  
Plastic or Steel blanking plugs

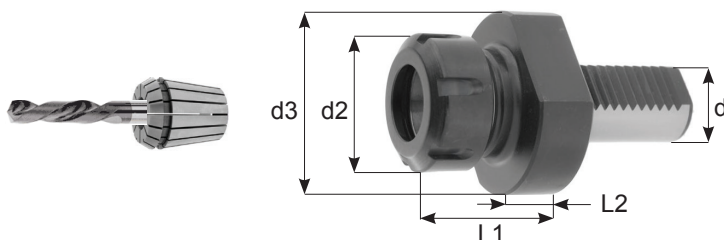


PLASTICO	ACERO				
REFERENCIA	REFERENCIA	d	d3	L1	L2
Z216	Z216S	16	40	45	13
Z220	Z220S	20	50	56	16
Z230	Z230S	30	68	71	16
Z240	Z240S	40	83	83	20
Z250	Z250S	50	98	98	20
Z260	Z260S	60	123	114	20

**DIN/69880**

Porta pinzas VDI pinza ER - DIN 6499  
Collect chucks ER - DIN 6499

**FORMA E4**



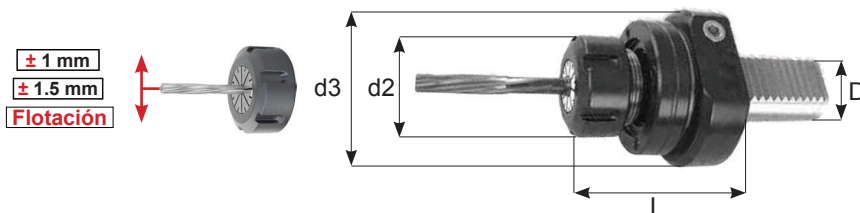
**VD16 / VDI20 / VDI30 / VDI40 / VDI50 / VDI60**

REFERENCIA	d (VDI)	CAP	d2	d3	L1	L2
VDIE416ER16	16	1 ÷ 10	32	40	44	13
VDIE416ER20		1 ÷ 13	35		44	
VDIE420ER16	20	1 ÷ 10	32	50	44	18
VDIE420ER20		1 ÷ 14	35		59	
VDIE420ER25		1 ÷ 20	42		65	
VDIE420ER32		2 ÷ 22	50		67	
VDIE430ER16	30	1 ÷ 10	32	68	48	22
VDIE430ER20		1 ÷ 14	35		59	
VDIE430ER25		1 ÷ 20	42		57	
VDIE430ER32		2 ÷ 22	50		78	
VDIE430ER40		3 ÷ 30	63		80	
VDIE440ER20	40	1 ÷ 14	35	83	59	22
VDIE440ER25		1 ÷ 20	42		57	
VDIE440ER32		2 ÷ 22	50		78	
VDIE440ER40		3 ÷ 30	63		80	
VDIE450ER25	50	1 ÷ 20	42	98	67	30
VDIE450ER32		2 ÷ 22	50		92	
VDIE450ER40		3 ÷ 30	63		80	
VDIE460ER32		2 ÷ 22	50		78	
VDIE460ER40	60	3 ÷ 30	63	123	80	30

14

**DIN/69880**

Porta escariador flotante ER - DIN 6499  
Floating reamer holders for ER - DIN 6499



Refrigeración  
Interna  
Coolant flow



**VD20 / VDI30 / VDI40**

REFERENCIA	D	PINZA	CAP	FLOT	d2	d3	L
VDI20RM25	20	ER25	1 ÷ 20	± 1.0 mm	42	57	57
VDI30RM25	30	ER25	1 ÷ 20	± 1.0 mm	42	68	64
VDI30RM32	30	ER32	2 ÷ 22	± 1.5 mm	50	68	72
VDI40RM32	40	ER32	1 ÷ 20	± 1.5 mm	50	83	74
VDI40RM40	40	ER40	2 ÷ 22	± 1.5 mm	63	83	74

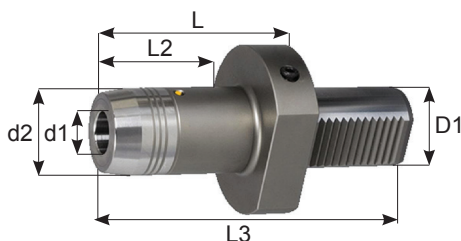




Porta pinzas hidráulico con refrigeración  
Hydraulic chuck with coolant feed



Coolant



**VDI16 / VD20 / VDI25 / VDI30**

REFERENCIA	D1 (VDI)	d1	d2	L	L2	L3
VDI16L75HD16	16	16	38	75	57	70
VDI16L75HD20		20	42	75	57	60
VDI20L49HD6	20	6	26	49	33	75
VDI20L49HD8		8	28	49	33	75
VDI20L49HD10		10	30	49	33	75
VDI20L54HD12		12	32	54	38	55
VDI20L54HD14		14	34	54	38	55
VDI20L75HD16		16	38	75	57	70
VDI20L75HD18		18	40	75	57	70
VDI20L75HD20		20	42	75	57	60
VDI25L49HD6	25	6	26	49	33	80
VDI25L49HD8		8	28	49	33	80
VDI25L49HD10		10	30	49	33	80
VDI25L54HD12		12	32	54	38	85
VDI25L54HD14		14	34	54	38	85
VDI25L75HD16		16	38	75	57	75
VDI25L75HD18		18	40	75	57	75
VDI25L75HD20		20	42	75	57	75
VDI25L100HD25	25	50	100	84	85	
VDI30L49HD6	30	6	26	49	33	85
VDI30L49HD8		8	28	49	33	85
VDI30L49HD10		10	30	49	33	85
VDI30L54HD12		12	32	54	38	85
VDI30L54HD14		14	34	54	38	85
VDI30L89HD16		16	38	89	73	85
VDI30L89HD18		18	40	89	73	85
VDI30L89HD20		20	42	89	73	85
VDI30L94HD25		25	50	94	78	85
VDI30L94HD32		32	60	94	78	80

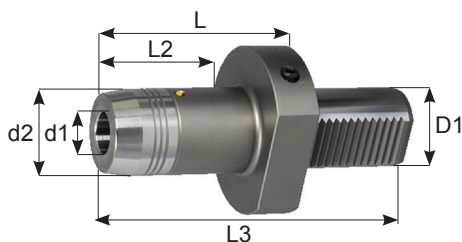


**DIN/69880**

Porta pinzas hidráulico con refrigeración  
Hydraulic chuck with coolant feed



Coolant



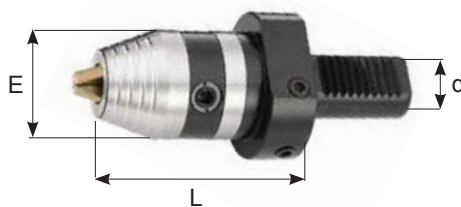
**VDI40 / VDI50 / VDI60**

REFERENCIA	D1 (VDI)	d1	d2	L	L2	L3
VDI40L55HD6	40	6	26	55	33	90
VDI40L55HD8		8	28	55	33	90
VDI40L55HD10		10	30	55	33	90
VDI40L60HD12-95		12	32	60	38	95
VDI40L80HD12-115		12	32	80	58	115
VDI40L90HD12-125		12	32	90	68	125
VDI40L60HD14		14	34	60	38	95
VDI40L95HD16		16	38	95	73	130
VDI40L95HD18		18	40	95	73	130
VDI40L95HD20		20	42	95	73	130
VDI40L95HD25		25	50	95	73	130
VDI40L75HD32-70		32	60	75	53	70
VDI40L95HD32-90		32	60	95	73	90
VDI40L100HD40		40	70	100	78	90
VDI50L55HD6	50	6	26	55	33	110
VDI50L55HD8		8	28	55	33	110
VDI50L55HD10		10	30	55	33	110
VDI50L60HD12		12	32	60	38	115
VDI50L60HD14		14	34	60	38	115
VDI50L95HD16		16	38	95	65	150
VDI50L95HD18		18	40	95	65	150
VDI50L95HD20		20	42	95	65	150
VDI50L95HD25		25	50	95	65	150
VDI50L95HD32		32	60	95	65	90
VDI50L100HD40		40	60	100	75	90
VDI60L100HD20	60	20	42	100	70	150
VDI60L70HD25		25	50	70	40	120



**DIN/69880**

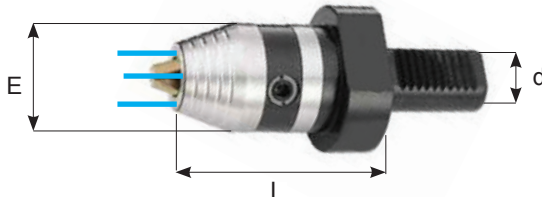
**Porta brocas con refrigeración Central**  
*Monolithic drill chucs with middle cooling passing*



REFERENCIA	d (VDI)	CAP	E	L
VDI20DCU13C	20	1 ÷ 13	50	88
VDI30DCU13C	30	1 ÷ 13		93
VDI30DCU16C		3 ÷ 16		98
VDI40DCU13C	40	1 ÷ 13		93
VDI40DCU16C		3 ÷ 16		98
VDI50DCU13C	50	1 ÷ 13		100
VDI50DCU16C		3 ÷ 16		105

**DIN/69880**

**Porta brocas con refrigeración frontal**  
*Monolithic drill chucs with cooling noozles*

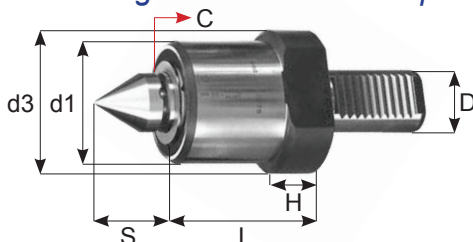


REFERENCIA	d (VDI)	CAP	E	L
VDI30DCU13E	30	1 ÷ 13	63	93
VDI30DCU16E		3 ÷ 16		98
VDI40DCU13E	40	1 ÷ 13		93
VDI40DCU16E		3 ÷ 16		98
VDI50DCU13E	50	1 ÷ 13		100
VDI50DCU16E		3 ÷ 16		105



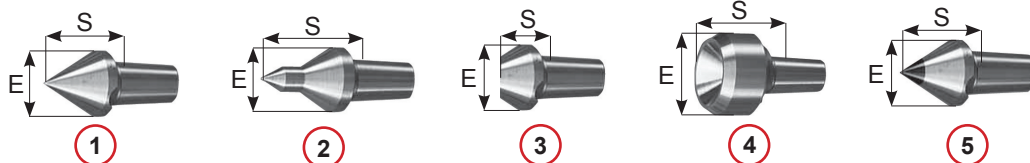
**DIN/69880**

**Punto rotativo con compresión**  
*Revolving Tailstock with compression*



REFERENCIA	D (VDI)	d1	d3	L	H	S	C
VDI30L78D34F	30	58	68	78	20	34	2.5
VDI40L80D34F	40	58	83	80	22	34	2.5

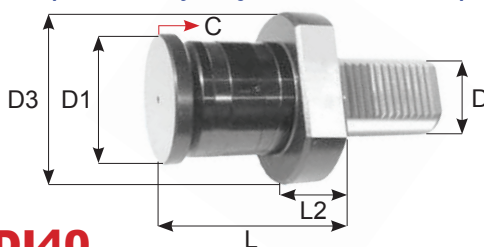
**Recambios para punto rotativo VDI**  
*In interchangeable insert VDI*



REFERENCIA	E	S	G	FIG
E28S34	28	34	-	1
E28S40	28	40	7	2
E28S40B	28	40	12	2
E58S36	58	36	25	3
E28S32	28	32	24	4
E28S34HM (Punta metal duro)	28	34	10	5

**DIN/69880**

**Topo de barras con compensación**  
*Damped rotary adjustable bar-stop*



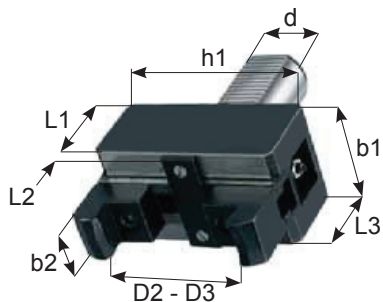
**VDI20 / VDI30 / VDI40**

REFERENCIA	D (VDI)	L	D3	L2	D1	C
VDI20E34	20	82 - 95	50	30	34	3
VDI20E42	20	82 - 95	50	30	42	3
VDI30E42	30	68 - 100	68	16	42	3
VDI30E56	30	68 - 100	68	16	56	3
VDI40E42	40	74 - 100	83	22	42	3
VDI40E56	40	74 - 100	83	22	56	3
VDI50E42	50	82 - 110	98	30	42	3
VDI50E56	50	82 - 110	98	30	56	3

**Arrastra barras**  
*Bar Clamps*

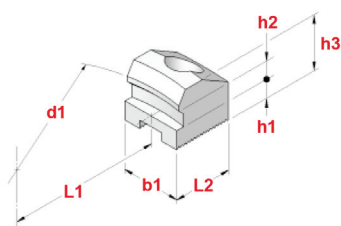
**DIN/69880**

**FORMA H1**



REFERENCIA	d (VDI)	d2	d3	b1	b2	h1	L1	L2	L3
H116	16	6 ÷ 56	54 ÷ 110	50	28	72	46	4	51
H120	20	6 ÷ 56	54 ÷ 110	50	28	72	46	4	51
H130	30	6 ÷ 56	54 ÷ 110	50	28	72	46	4	51
H140	40	6 ÷ 56	54 ÷ 110	60	28	110	48	4	53
H150	50	10 ÷ 75	62 ÷ 125	65	28	130	67	5	73
H160	60	10 ÷ 75	62 ÷ 125	65	28	130	67	5	73

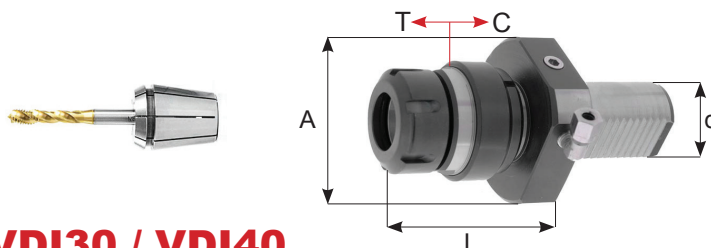
**Garras**  
*Jaws*



REFERENCIA	d1	b1	L1	L2	h1	h2	h3
H1103040	75	28	35	28	9	10	26
H1113040	125	28	42	36	18	10	34
H1105060	75	28	35	28	17	10	42
H1115060	125	28	42	36	24	10	42

**DIN/69880**

**Rosgador con compresión y tracción pinza ER**  
*Tension and compression tap holders collet ER*

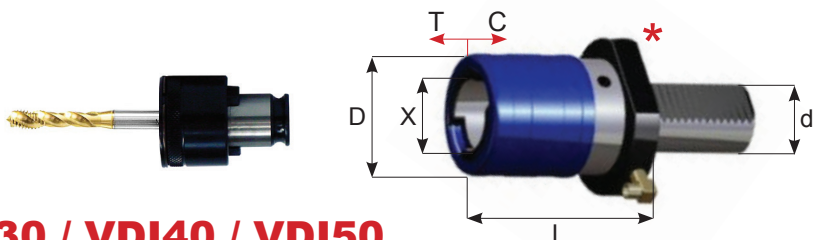


**VDI20 / VDI30 / VDI40**

REFERENCIA	d	CAP	L	A	C	T
VDI20ER20TC	20	M3 ÷ M16	84	34	3	9
VDI20ER25TC	20	M3 ÷ M20	86	42	3	9
VDI30ER25TC	30	M3 ÷ M20	84	42	4	12
VDI30ER32TC	30	M3 ÷ M27	86	50	4	12
VDI30ER40TC	30	M5 ÷ M27	86	63	4	12
VDI40ER25TC	40	M3 ÷ M20	86	42	4	12
VDI40ER32TC	40	M3 ÷ M27	88	50	4	12
VDI40ER40TC	40	M5 ÷ M27	88	63	4	12

Roscador cambio rápido con compresión y tracción sin flangia  
*Double compensation quick change tap holders without flange*

**DIN/69880**

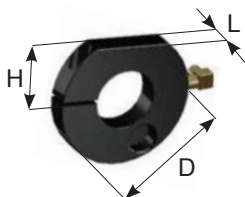


**VDI20 / VDI30 / VDI40 / VDI50**

REFERENCIA	CAP	d (VDI)	D	X	L	C	T
VDI20-THTC1-L55	M 3 ÷ M12	20	38	19	55	9	9
VDI20-THTC2-L77	M 8 ÷ M20	20	55	31	77	15	15
VDI30-THTC1-L55	M 3 ÷ M12	30	38	19	55	9	9
VDI30-THTC2-L77	M 8 ÷ M20	30	55	31	77	15	15
VDI40-THTC1-L55	M 3 ÷ M12	40	38	19	55	9	9
VDI40-THTC2-L77	M 8 ÷ M20	40	55	31	77	15	15
VDI40-THTC3-L120	M14 ÷ M33	40	79	48	120	9	15
VDI50-THTC2-L77	M 8 ÷ M20	50	55	31	77	9	9
VDI50-THTC3-L108	M14 ÷ M33	50	79	48	108	15	15

\* Sin Flangia

Flangia  
 Flangia

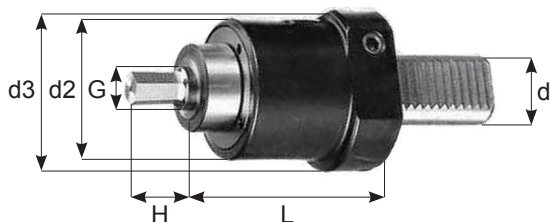


REFERENCIA	d	D	H	L
VDI-F20	20	50	23	12
VDI-F30	30	68	28	12
VDI-F40	40	83	32.5	12
VDI-F50	50	98	35	12
VDI-F60	60	123	42.5	12

Porta herramientas rotativo de brochado interno  
*Rotary broach holder for internal polygons*

14

**DIN/69880**



**VDI20 / VDI30 / VDI40**

REFERENCIA	d (VDI)	d2	d3	G	L	H	*BCH
VDI20BCH12	20	44	50	12	57	25	12
VDI30BCH12	30	58	68	12	83	25	12
VDI30BCH16	30	58	68	16	83	40	16
VDI40BCH12	40	58	83	12	83	25	12
VDI40BCH16	40	58	83	16	83	40	16